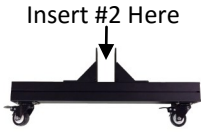



17396: Deluxe Flashboard Stand Assembly Instructions

Insert #2 Here




Insert the piece labeled #2(yellow) into one of the caster bottoms. Insert the bolts into the bottom of the upright and tighten using the 17mm box wrench.




Repeat this step with the second upright piece and caster bottom.

Add washer and bolt and tighten as shown



1




Slide cross piece #3 into the grooves of upright #2(yellow) and slide to the bottom.

Use the star pattern wrench to tighten the silver screws on the side to hold into place.


Tighten these screws

2



Slide the lower bolt mechanism of #4 into the top of #2(yellow) and tighten the lower silver screw using the star pattern wrench.

See Figure 7



(DO NOT TIGHTEN THE TOP SCREW AT THIS TIME)


3

At this stage, your stand should look like this.

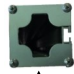


4


Add #2(white) into the top of the #2(yellow) on either side of the stand, sliding the bold mechanism of #4 through the groove. Tighten the top silver screw on #4 when the stand is at the height you want.



Insert #2(white) here




Top of #2(white)



Tighten this screw to adjust height

5

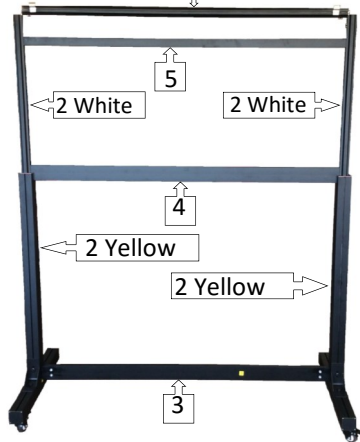


Insert #5 into the grooves of #2(white) and tighten the silver screws when it is at the height desired.

This will stabilize your flashboard and the stand.

Add #6 to the top of the stand, if it will not slide into place, loosen the silver screws on either side.

6



Your completed stand.

2 White

2 White

4

2 Yellow

2 Yellow

3

7



All the tools needed to assemble the stand.

Bolts for attaching the uprights to the caster bottoms. (There may be extra)

Extra parts

